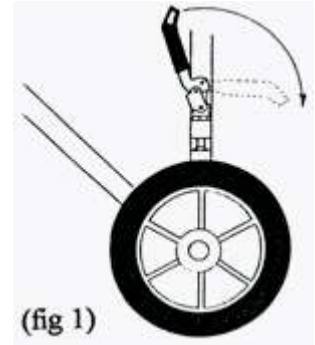
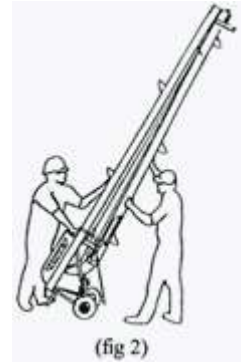


## Erecting the Bumpa (2 men required)

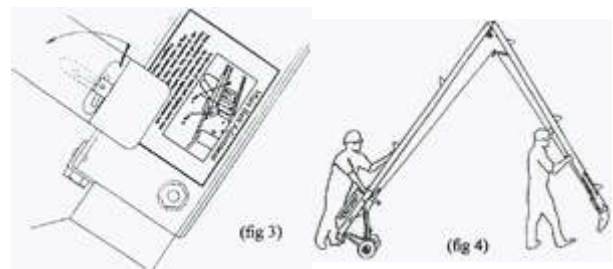
- A** Select a suitable level area to open machine. Always check for overhead obstructions i.e. branches, cables etc. prior to opening machine. Use trestle supplied to rest hinge.



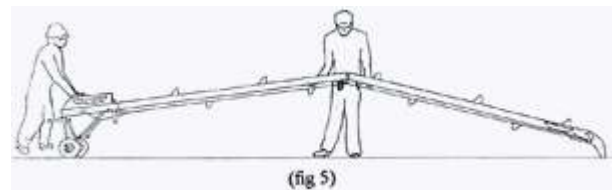
- B** Lock wheel brakes on (fig 1) then with man 1 standing on the hoop at the base of machine, man 2 raises the opposite end until machine bottoms on base hoop (fig 2).



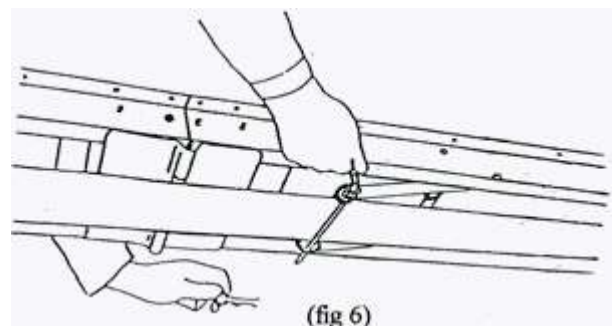
- C** Release antiluce catches (fig 3) and walk top boom approx 5 - 6 paces apart then place on ground (fig 4).



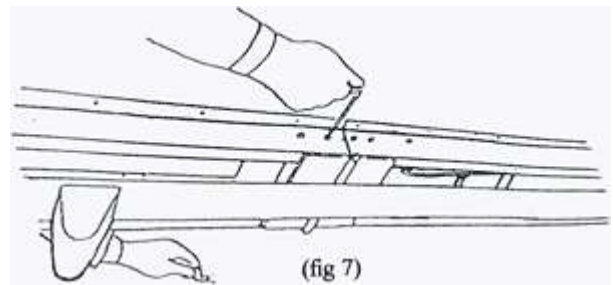
- D** With man 2 supporting the machine, man 1 releases the brakes and walks the base backwards (fig 5) until the machine is fully open.



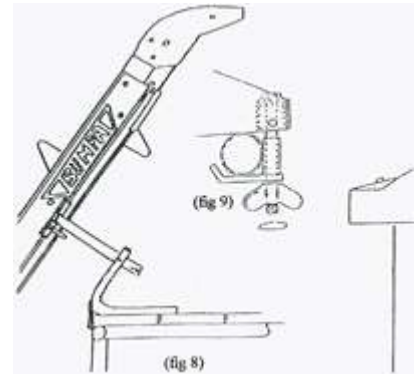
- E** Remove clip and withdraw hinge pin from belt retaining spring (fig 6) then replace pin through hinge (fig 7).



- F** The machine can now be raised to the roof/scaffold either by rope or by walking the head up a ladder. The base is guided and positioned by man 1.

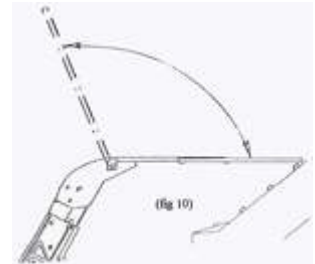


- G** Once the machine head is on the scaffold, the stand can be positioned and fixed either to the scaffold boards (fig 8) or roof. Alternatively, the head can be clamped to the handrail using the clamp provided (fig 9). Ensure returning belt carrier clears scaffold before starting machine and that remote handset is plugged in at head.



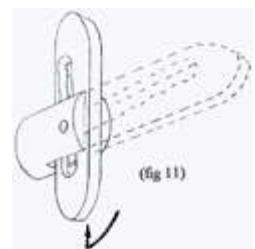
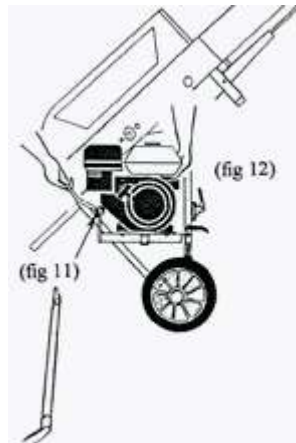
- H** With the machine secured at the scaffold the delivery chute is now fitted by slotting in the chute to the head lugs, then rotating to the required angle, extended and fixed (fig 10).

N.B. 10m machines must have the centre support prop fitted prior to loading.

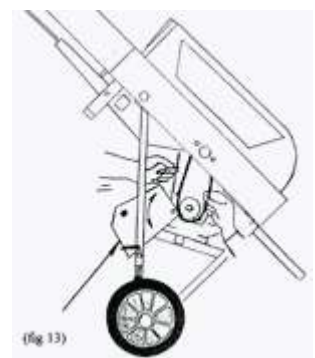


### Fitting the motor (petrol version)

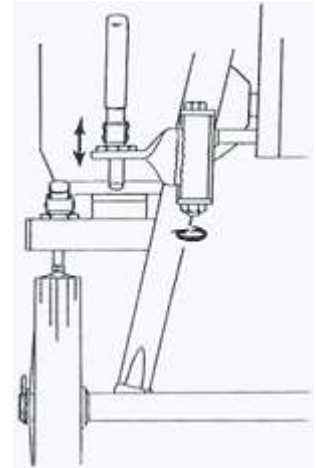
1. Remove engine pin (fig 11) and position engine unit to rest into frame (fig 12). Replace pin and lock antiluce fastener.



2. Lift antiluce fastener and rotate belt cover clear to expose pulley (fig 13). Place Vee belts onto machine pulley, then lift engine to position belts onto engine pulley, lower engine.



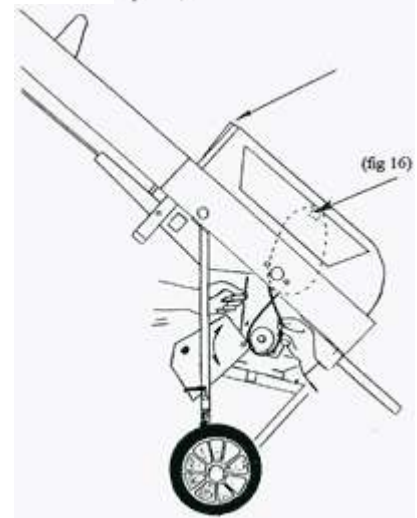
3. Rotate engine belt tensioner (fig 14) into place and operate lever to tension belts rotate belt, guard back up and lock fastener (fig 13).



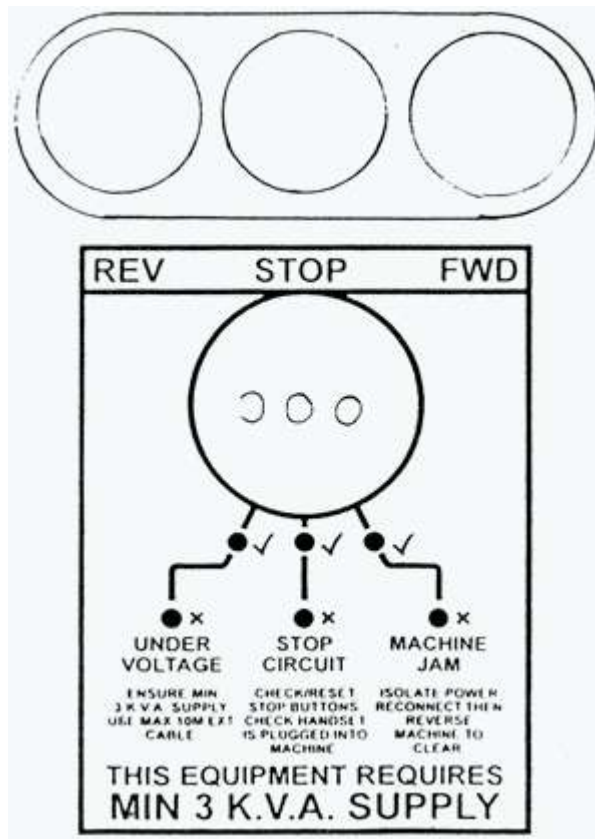
### **To reverse machine (petrol)**

Fit engine as per 1. Release black Vee belts and place on hanger (up in bonnet) (fig 16). Unhook red belt and place on machine pulley. Cross belt in figure of 8, lift engine and position on engine pulley. Proceed as per 3.

### **Electric version**



- I All 110v electric machines have integral motors, requiring 3 K.V.A. supply. Max 10 m cable should be used to avoid excessive volt drop. The machine will not run if the handset is not plugged in or the 'stop' buttons are not in. Trouble shooting is simple using the three neons visible through inspection window at base as below:-



**MAXIMUM PAYLOAD 20KG PER CARRIER (MAX TOTAL BELT LOAD 80KG)**

#### SAFETY INSTRUCTIONS

1. Ensure machine head is clamped securely/locked into stand and delivery shute fitted.
2. Ensure base of machine is level and wheel brakes are locked on.
3. Erect a safety barrier to prohibit access through underside of machine.
4. Hard hats must be worn by operatives.
5. Ensure remote handset is plugged in at top and is easily accessible.
6. In the event of a jam, stop machine immediately and reverse to clear.
7. Route supply cable to minimise the chances of damage or accident.