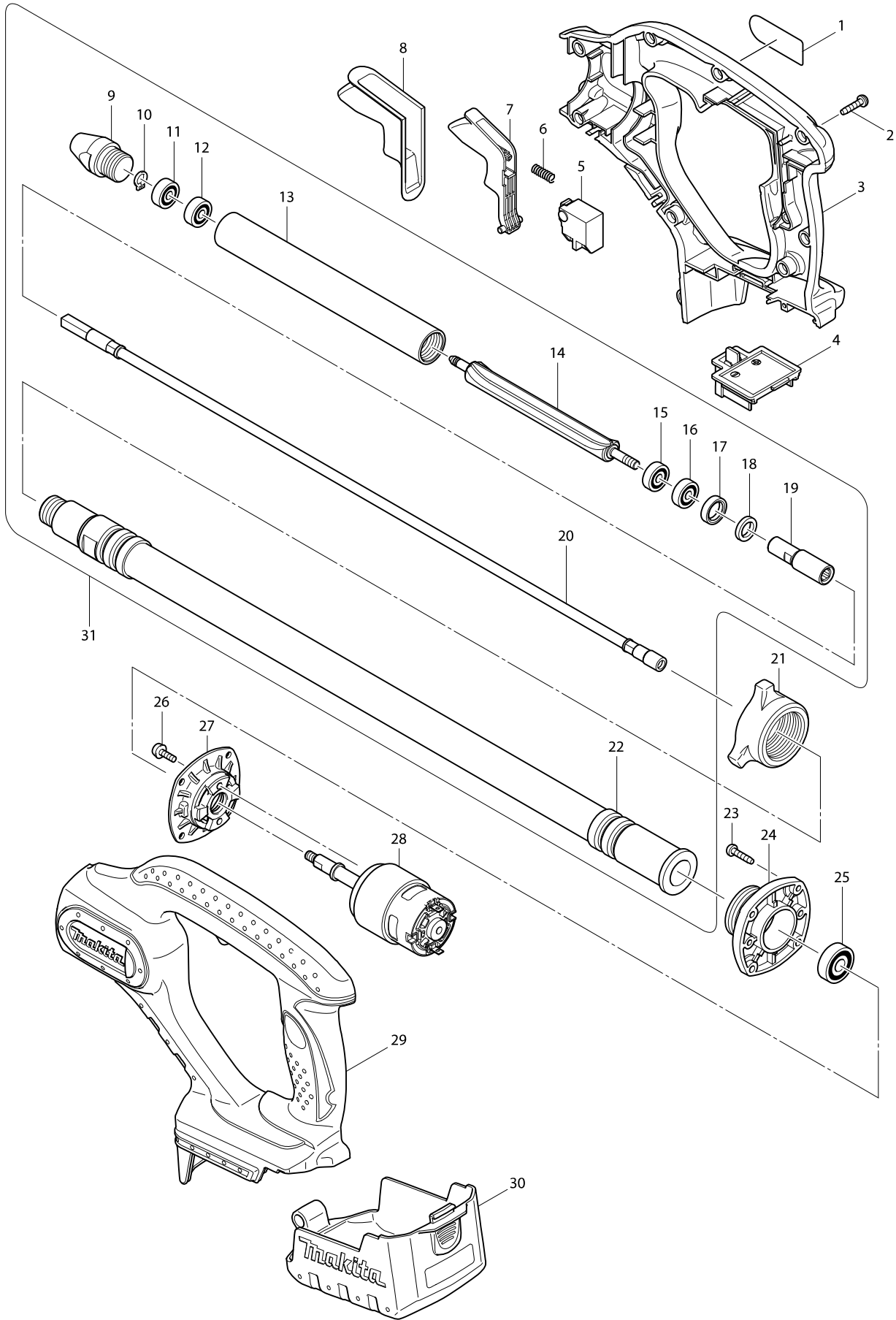


# Model No. DVR350 CORDLESS CONCRETE VIBRATOR



# Model No. DVR350 CORDLESS CONCRETE VIBRATOR

Item	Parts No.	Description	I/C	QTY	N/O	Opt. 1	Opt. 2	NOTE
001	850D42-6	DVR350 NAME PLATE		1				
002	266045-0	TAPPING SCREW 4X20		9		100		
003	187867-4	HOUSING SET		1				
D10		INC. 29						
004	643843-3	TERMINAL		1		100		
005	650580-2	SWITCH SGE120C-4		1		100		
006	231298-0	COMPRESSION SPRING 6		1		100		
007	419511-8	SWITCH LEVER		1		100		
008	421961-5	WATERPROOF COVER		1		100		
009	322935-8	CAP		1		100		
010	961002-0	RETAINING RING S-6		1		100		
011	210018-5	BALL BEARING 626		1		154		
012	210018-5	BALL BEARING 626		1		154		
013	331503-6	PIPE 25		1		100		
014	322934-0	UNBALANCER		1		100		
015	211016-2	BALL BEARING 626LLB		1		100		
016	211016-2	BALL BEARING 626LLB		1		100		
017	421578-4	RUBBER RING		1		100		
018	443101-5	FELT RING		1		100		
019	326203-1	JOINT		1		163		
020	163533-7	FLEXIBLE WIRE		1		100		
021	416244-6	NUT 36		1		100		
022	163536-1	FLEXIBLE HOSE		1		100		
023	266045-0	TAPPING SCREW 4X20		4		100		
024	316893-8	BEARING BOX		1		100		
025	211056-0	BALL BEARING 629LLB		1		100		
026	911118-1	PAN HEAD SCREW M4X12		2		100		
027	318867-5	SUPPORTER		1		100		
028	629947-5	DC MOTOR		1		100		
029	187867-4	HOUSING SET		1				
D10		INC. 3						
030	158051-8	COVER COMPLETE		1		100		
C10	810196-7	CAUTION LABEL		1		100		
031	126207-1	FLEXIBLE ASSEMBLY		1				
D10		INC. 9-20,22						
A01E	***DC18RC	DC18RC FAST CHARGER		1				
A01G	***DC18RC	DC18RC FAST CHARGER		1				
A02E	194204-5	BATTERY BL1830 SET		2	*			
A02-1E	194204-5	BATTERY BL1830 SET	O	2	*			
A02-1G	196399-0	BATTERY BL1840 SET		2	*			
A02-2E	197600-6	BATTERY BL1830B SET	<	2				
A02-2G	197265-4	BATTERY BL1840B SET	<	2				
A03E	141481-0	PLASTIC CARRYING CASE		1				
C10	417383-5	LATCH		2				
A03G	141481-0	PLASTIC CARRYING CASE		1				
C10	417383-5	LATCH		2				
A04E	450128-8	BATTERY COVER		1				
A04G	450128-8	BATTERY COVER		1				

